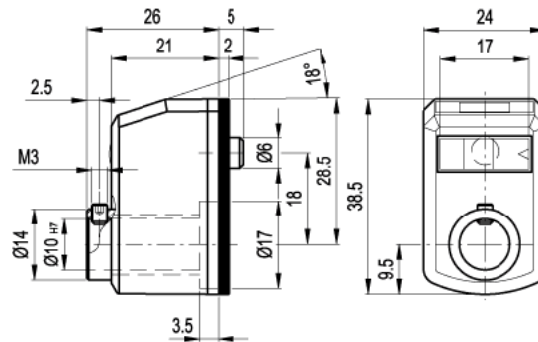


Data Sheet



Article number: 2307081182
 Description: E+G Small counter
 DD50-FN-02.0-S-GR Gray

Measures



Reading position	Table of the possible combinations				Speed (rpm)*	Direction of rotation	Colour
	Pitch	Reading after one revolution					
AN vertical upper	1.0	01.0	0.10	010	1500	D clockwise	AR orange RAL 2004
AR vertical lower	2.0	02.0	0.20	020	1250	D clockwise	GR gray RAL 7035
FN front upper	4.0	04.0	0.40	040	625	S anti-clockwise	NR black RAL 7021
FR front lower	5.0	05.0	0.50	050	500	S anti-clockwise	NR black RAL 7021
	10	10.0	1.00	100	250	S anti-clockwise	NR black RAL 7021

01.0	Standard reading
0.10	Reading available on request (see 17.2.1.1)

DD
50
-FR
010
-S
GR

* The maximum rotation speed (rpm) of the spindle reported in the table corresponds to a maximum rotation speed of 25,000 units per minute of the test roll on the right side of the counter. Rotational speed tests have been performed in our laboratory under standard operating conditions.

Description = Se mål på tegning